

Super 55-BLK Deluxe Vocal Microphone Pitch Black Edition

Overview

The Super 55 Deluxe Vocal Microphone Pitch Black Edition presents the classic looks and performance of the Super 55 in a modern black-on-black finish. Featuring a matte black die-cast case, black foam and smooth frequency response for natural vocal reproduction, the Super 55 Pitch Black Edition also includes an integrated, swivel stand mount base and microphone bag and is ideal for any performance, whether on-stage or on-screen.

Features

- Exclusive, limited-edition pitch black finish features matte black-on-black foam is an eye-catching modern take on an iconic classic.
- Supercardioid pickup pattern tailored for vocal performances provides high gain-before-feedback, rejects unwanted noise and prevents feedback for use on larger, noisy stages.
- Shock-mounted cartridge and tough, die-cast case reduces handling noise and protects the cartridge from damage and abuse.
- Swivel mount is integrated into microphone base for professional applications.
- Zippered, padded pouch included protects microphone from scratches and wear during transit and storage.



Super 55 Pitch Black Edition

Available SKUs

Super 55-BLK	2017 Limited Edition Deluxe Vocal Microphone (Pitch Black finish)
--------------	---

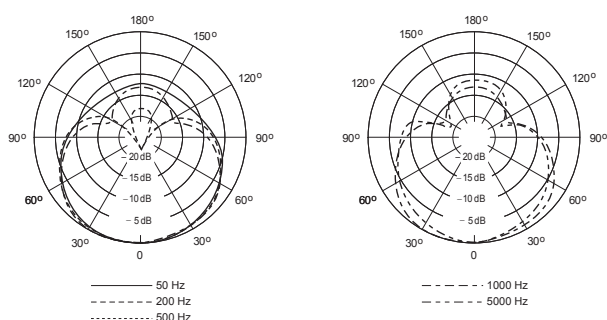
Specifications

Type	Dynamic (moving coil)
Frequency Response <i>(A-weighted)</i>	60–17,000 Hz
Polar Pattern	Supercardioid
Output Impedance <i>@ 1 kHz</i>	EIA rated at 150 Ω (290 Ω actual)
Sensitivity <i>@ 1 kHz, open circuit voltage</i>	-53.0 dBV/Pa <i>(1 Pa=94 dB SPL)</i>
Polarity	Positive pressure on diaphragm produces positive voltage on pin 2 with respect to pin 3
Net Weight	0.66 kg (1.5 lb) <i>(Mic Only)</i>
Housing	Zinc die casting with matte chrome plating

Accessories

C25J	25' XLR Cable	R115S	Replacement Cartridge Kit
------	---------------	-------	---------------------------

Polar Patterns



Frequency Response

